

● 产品特性



- ✓
- ✓
- ✓
- ✓
- ✓
- ✓
- ✓
- ✓

VAC

●

●

EN

EN

GB

UL

●

CL AS

W

W

VAC

V

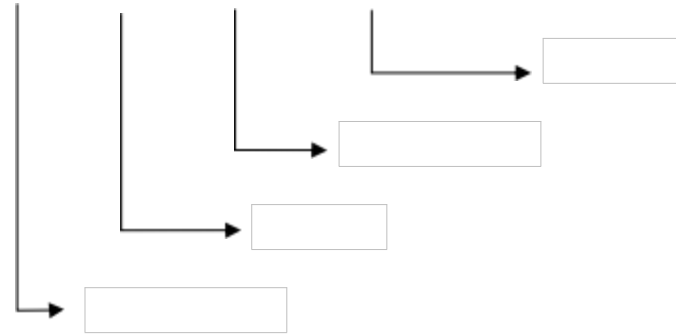
●

CL

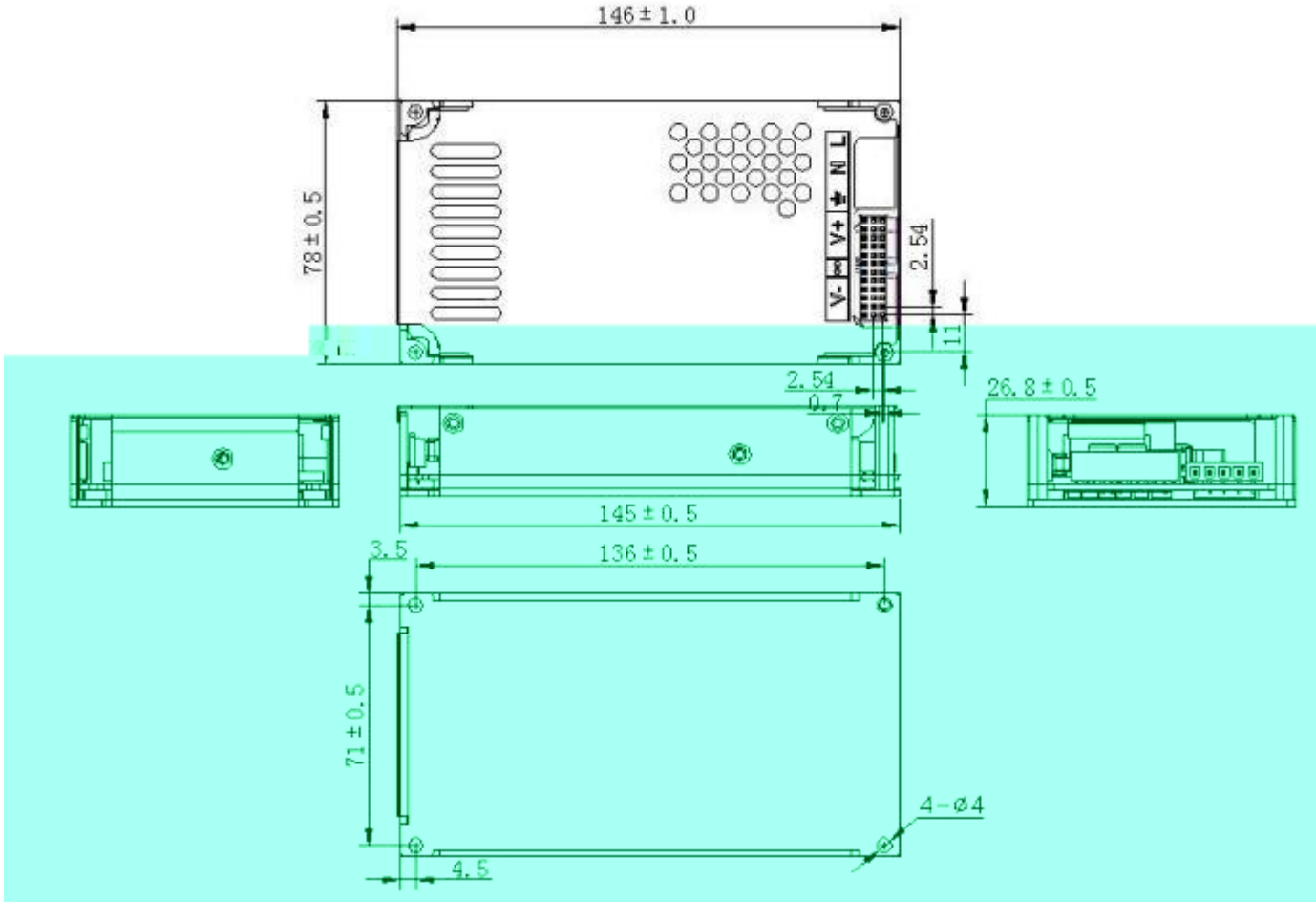
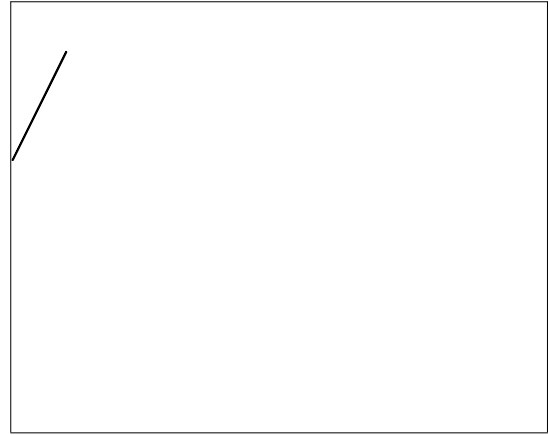
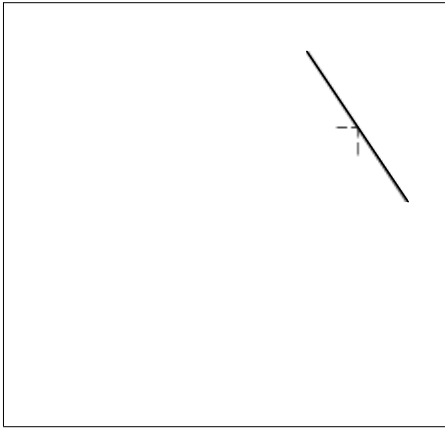
AS

W

X

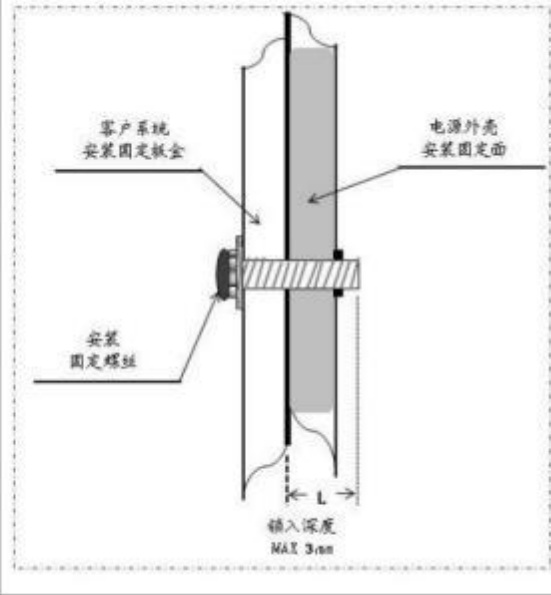


	CL AS	W	CL AS	W	CL AS	W	CL AS	W
	VAC							
	VAC A							
	HZ							
	A	VAC						
	A	VAC						
	V		V		V		V	
	A		A		A		A	
	W		W		W		W	
	V		V		V		V	
	VAC							
	VAC							
	RH							
	RH							
	H		G		XYZ			
	G		XYZ					
	EN EN							
	EMC							
	GB UL							
	I P O P	K ac	A		I P CASE	K ac	A	
	O P CASE	K ac	A					
	I P O P	M	I P Ca e	M	O P Ca e	M		
	V		V		V		V	
	a ed							
	a ed							
	MTBF							
	H MIL Me d							
	K KG							
	<input checked="" type="checkbox"/>	<input type="checkbox"/>						
	<input type="checkbox"/>	<input type="checkbox"/>	<input type="checkbox"/>		<input type="checkbox"/>			
	VAC							
	MH							
	F		F					
	EMC							



警示

- 使用安装螺丝 M3*6mm,
- 深入外壳螺丝深度 MAX 3mm,
- 详见右图



AWG