

●



- ✓
- ✓
- ✓
- ✓
- ✓
- ✓
- ✓
- ✓

VAC

●

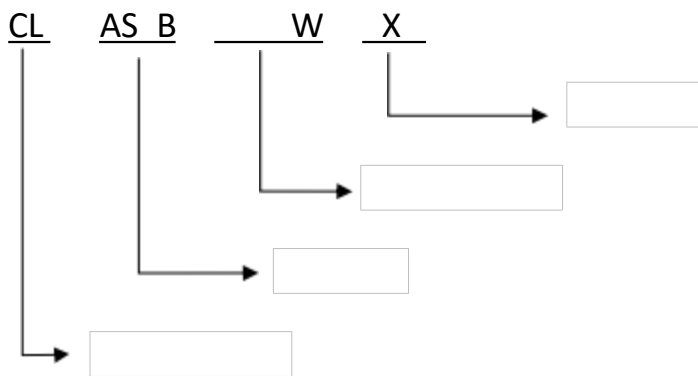
●

EN EN GB UL

●

CL AS B W W
VAC V

●





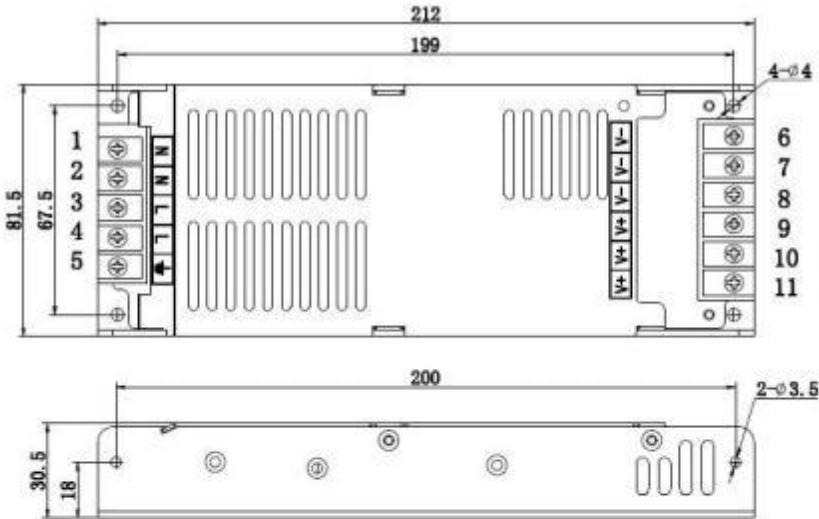
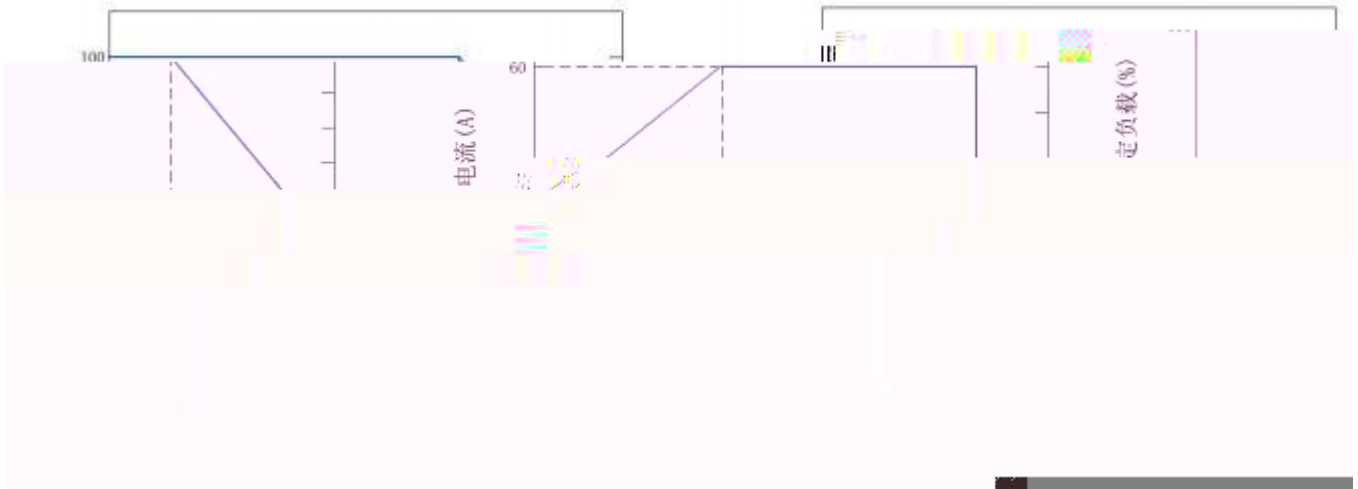
| CL AS B W | CL AS B W | CL AS B W | CL AS B W |
|-----------|-----------|-----------|-----------|
| VAC | | | |
| VAC A | | | |
| | | | 88 |
| HZ | | | |
| A VAC | | | |
| A VAC | | | |
| V | V | V | V |
| A | A | A | A |
| W | W | W | W |
| / | / | / | / |
| V | V | V | V |
| | VAC | | |
| VAC | | | |
| ± | ± | ± | ± |
| ± | ± | ± | ± |
| ± | ± | ± | ± |
| | RH | | |

WVAZ

C

■ 环境温度降额曲线

■ 输入电压降额曲线



1, 交流输入端子的安装使用

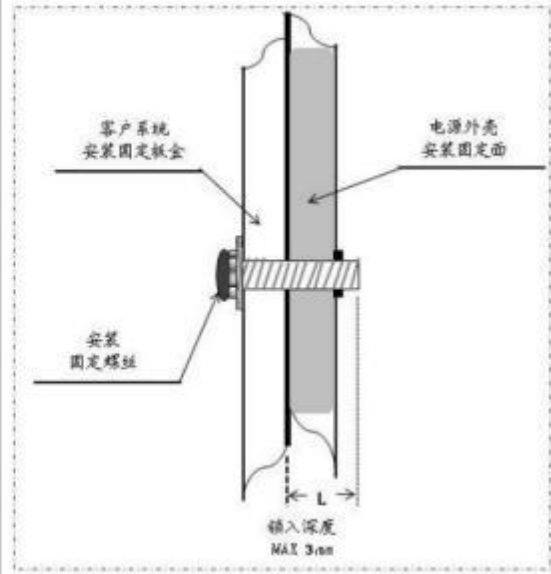
| 位号 | 功能 | 端子 | 线材安装规格 | 最大扭矩 |
|-----|----|--------|----------|-----------------|
| 1-2 | N | 95 端子排 | 22-12AWG | 7.5Kgf.cm (max) |
| 3-4 | L | | | |
| 5 | ⊕ | | | |

2, 直流输出端子的安装使用

| 位号 | 功能 | 端子 | 线材安装规格 | 最大扭矩 |
|------|----|--------|----------|-----------------|
| 6-8 | -V | 95 端子排 | 14-26AWG | 7.5Kgf.cm (max) |
| 9-11 | +V | | | |

警示

- 使用安装螺丝 M3*6mm,
- 深入外壳螺丝深度 MAX 3mm,
- 详见右图



AWG

50cm

c