



●



- ✓
- ✓ 0
- ✓ - 0 + 0
- ✓ 0
- ✓ / /
- ✓
- ✓ 00%
- ✓

●

LED

LED

LED

LED

●

EN55024\EN61000-4-2,3,4,5,6,8,11\GB17625.1\EN61000-3-2,-3\EN55022\GB4943\UL1012

●

CL-PAS2-400

400W

LED

90-264VAC

3.3-5V

LED

LED

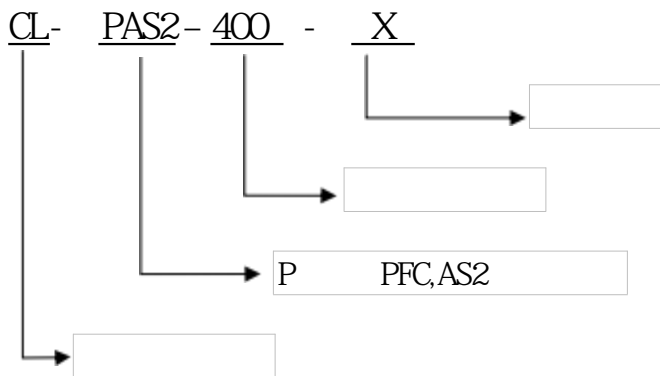
LED

LED

LED

26mm

●

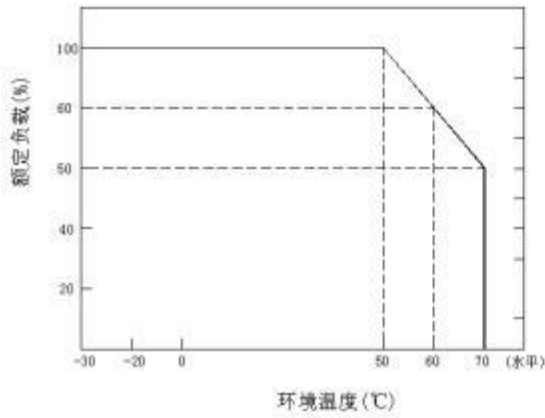




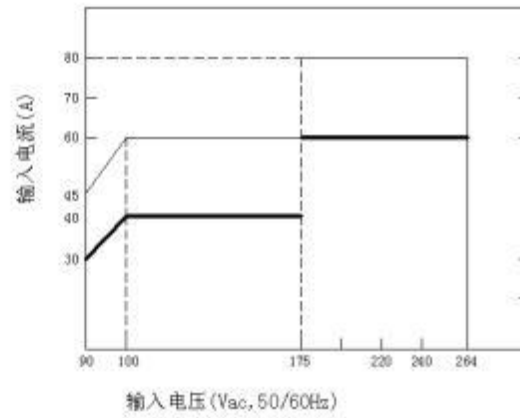
EMC

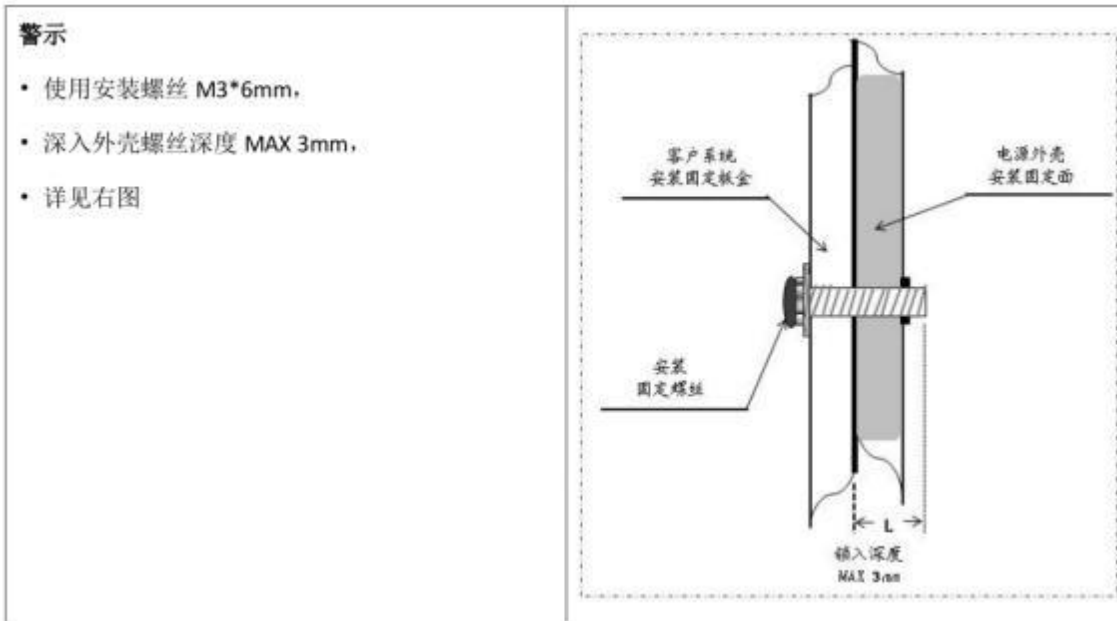
CL-PAS2-400-3.8	CL-PAS2-400-4.2	CL-PAS2-400-4.5	CL-PAS2-400-5
90-264VAC 47-63HZ			
230VAC/3.5A			
85%	86%	89%	90%
<1mA/240VAC			
90A/230VAC			
3.8V	4.2V	4.5V	5V
80A	80A	80A	80A
304W	336W	360W	400W
200mVp-p	200mVp-p	200mVp-p	200mVp-p
1500ms 50ms/230VAC	100%		
10ms/230VAC	80%		
1%	1%	1%	1%
2%	2%	2%	2%
2%	2%	2%	2%
-30-70	20%-95%RH		
-40-80	10%-95%RH		
10-500Hz,	2G,	10min, XYZ	6
20G,	11ms, XYZ	3	
2000mtrs	2000m	100m	0.6
EN55024	EN61000-4-2,3,4,5,6,8,11		
GB17625.1	EN61000-3-2,-3		
EN55022 CLASSA			
GB4943/UL1012			
-- I/P-O/P:3Kvac/10mA		--- I/P-CASE:1.5Kvac/10mA	---
O/P-CASE:0.5Kvac/10mA		1min	
I/P-O/P 20M ohms	I/P-Case 20M ohms	O/P-Case 20M ohms	
6.0V	6.0V	6.0V	6.0V
110~150% rated			
110~150% rated			

■ 环境温度降额曲线



■ 输入电压降额曲线





1

2

3

4

5

6

AWG18#

86-519-69882516



1

2

20cm