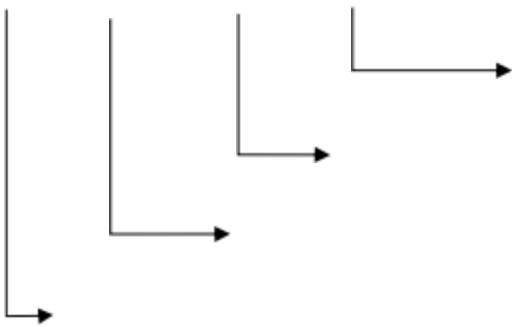


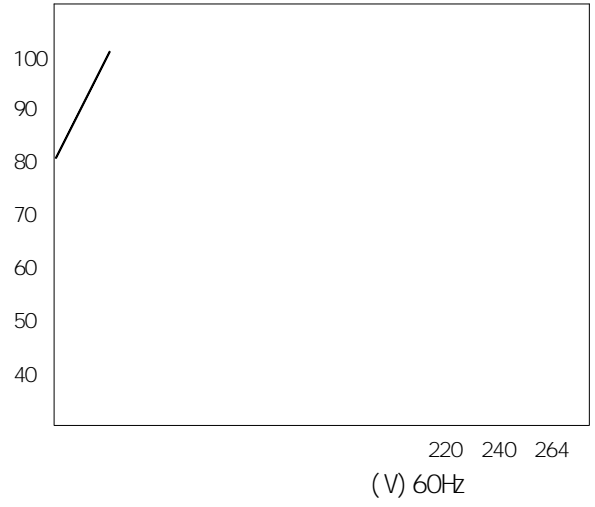
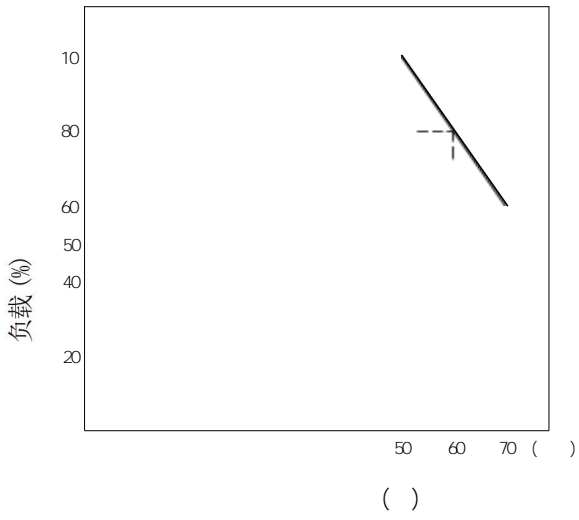


- ✓
- ✓
- ✓
- ✓
- ✓
- ✓
- ✓
- ✓

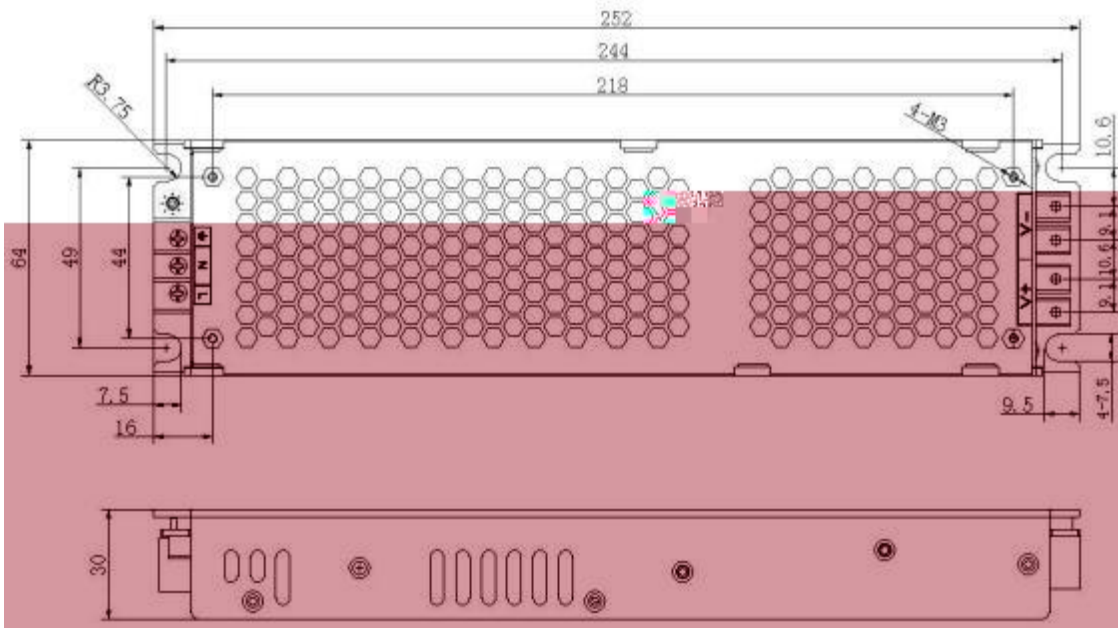


-
-
-

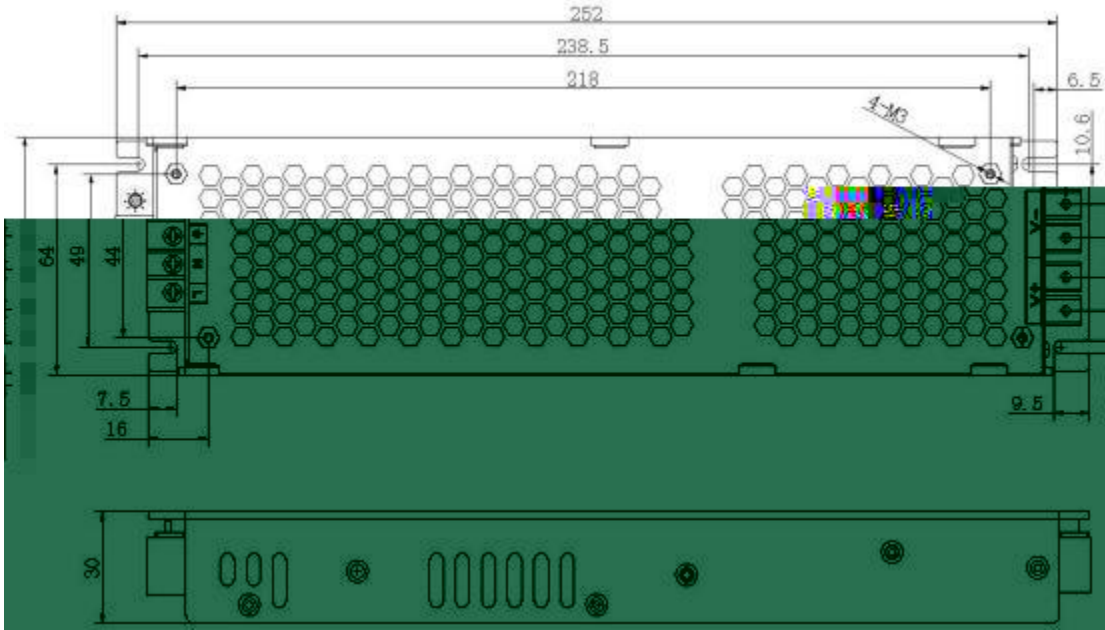


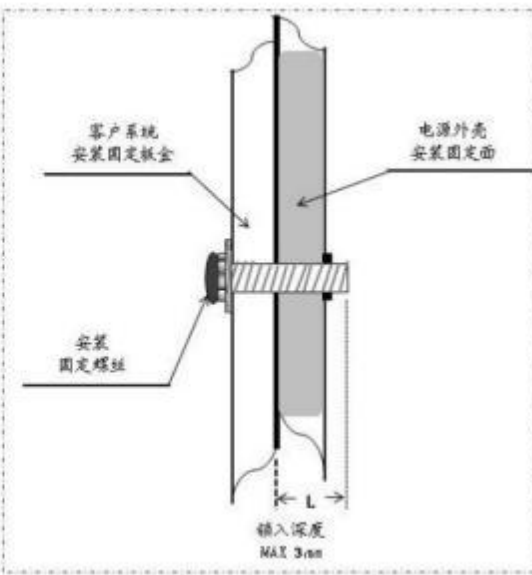


a. CL-AS2-400-4.2



b. CL-AS2-400-4.2B



<p>警示</p> <ul style="list-style-type: none"> • 使用安装螺丝 M3*6mm, • 深入外壳螺丝深度 MAX 3mm, • 详见右图 	 <p>Diagram illustrating the installation of the M3*6mm screw. The screw is used to secure the customer system's mounting plate (客户系统安装固定板) to the power supply's mounting surface (电源外壳安装固定面). The diagram shows the screw passing through the mounting plate and into the power supply housing. The installation screw (安装固定螺丝) is shown in cross-section. The insertion depth (插入深度) is indicated as MAX 3mm.</p>
--	---



60cm