

产品规格书

PAS



CL-PAS-1200

CHENGLIAN

产品特性

Product Features



- ✓
- ✓ 90~264VAC
- ✓ -30~+70
- ✓ PFC PF 0.98
- ✓ 105
- ✓ / /
- ✓
- ✓ 100%
- ✓ 3

应用领域

Application area

,LED LED

参考标准

Reference standard

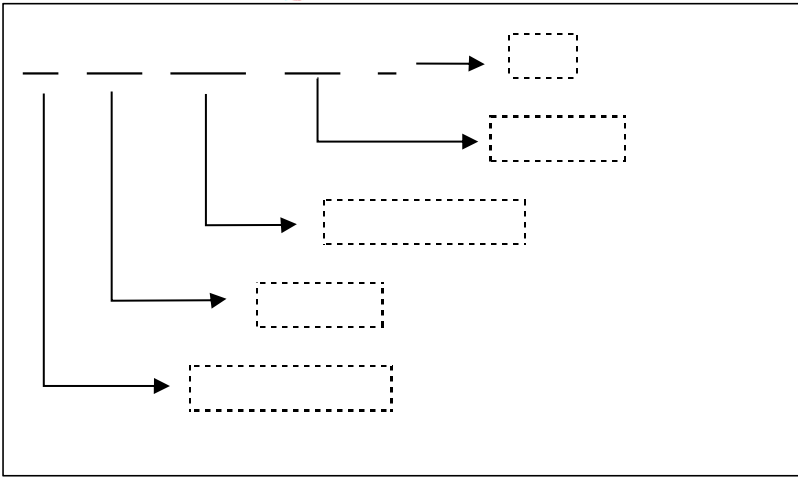
EN 55032\IEC61000-4-2,3,4,5,6,8,11\IEC61547\GB4943

产品描述

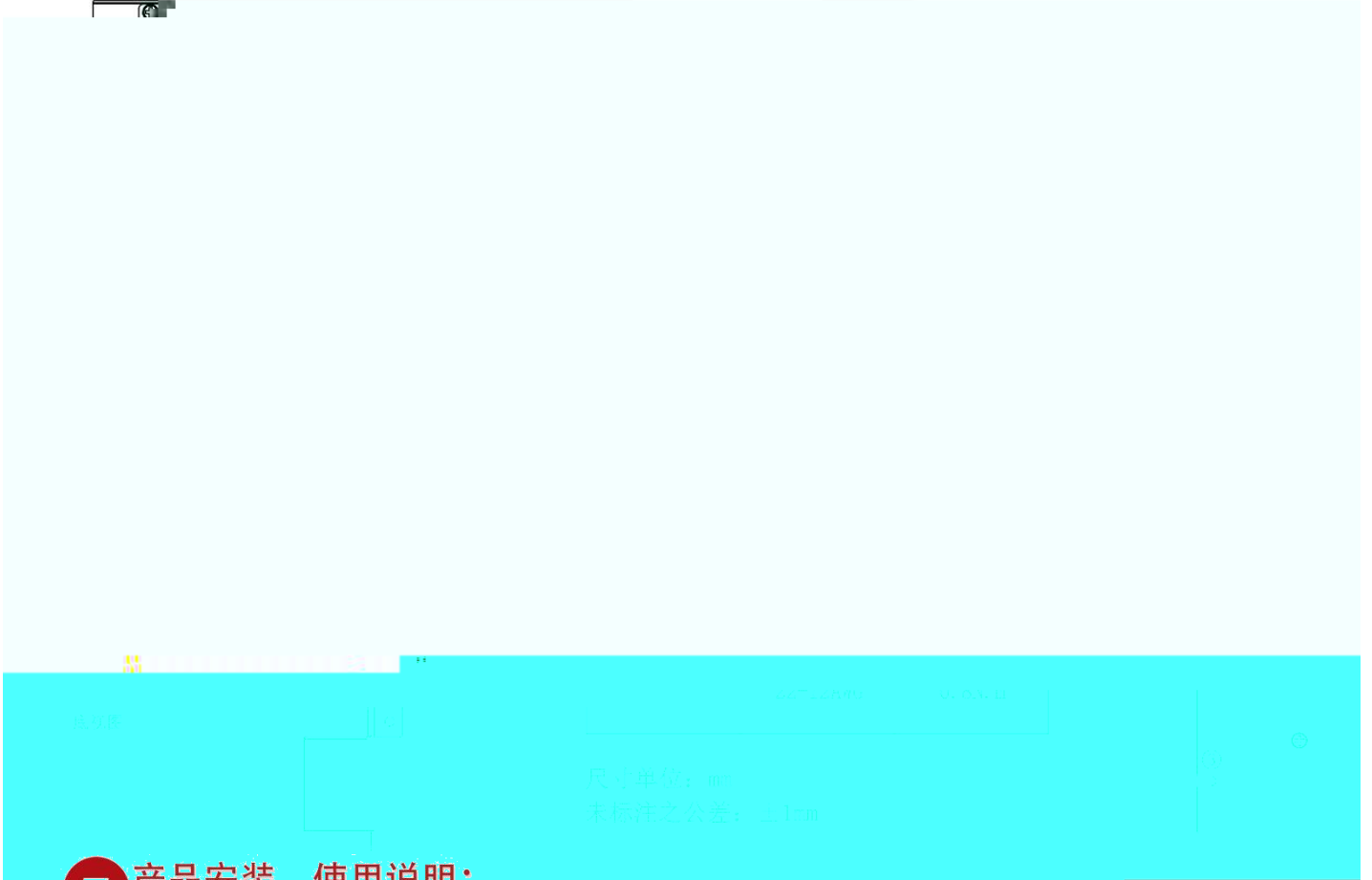
Product Description

CL-PAS-1200 90~264VAC 12V 24V 36V
48V LED LED

 **产品命名**
Product Naming



 **电气参数**
Electrical parameters



产品安装 使用说明
Product Installation and Usage Instructions

- 1
- 2
- 3
- 4
- 5
- 6

AWG18#
0519-69882516

运输、储存:
Transportation and storage:

- 1
- 2

50cm

1

20cm