

# CHENGLIAN

## 产品特性 Product Features

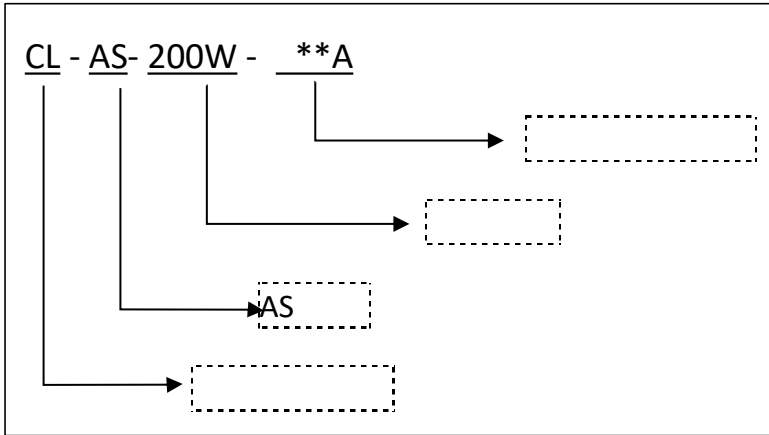


## 应用领域 Application area

## 参考标准 Reference standard

## 产品描述 Product Description

 **产品命名**  
Product Naming



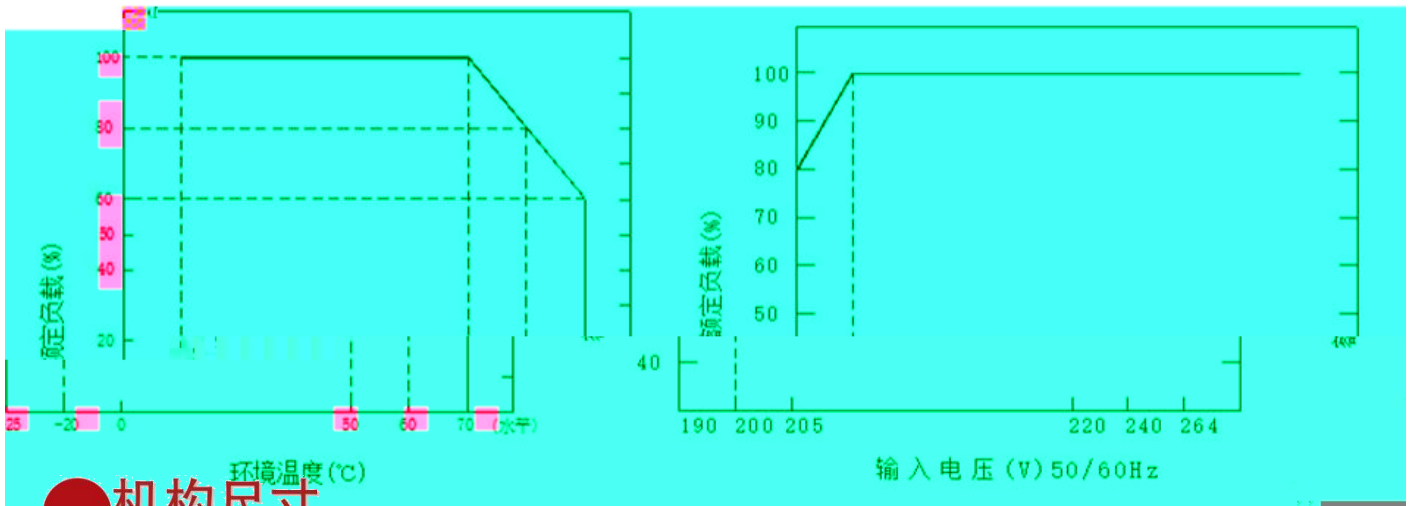
 **电气参数**  
Electrical parameters

	CL-AS-200-12A	CL-AS-200-24A	CL-AS-200-36A	CL-AS-200-48A
	190~264VAC 265~370VDC( )			
	230VAC/2A			
	47~63Hz			
	88%	88%	88%	88%
	<3.5mA/240VAC			
	80A/250VAC			
	12V	24V	36V	48V
	16.7A	8.3A	5.6A	4.17A
	200.4W	199.2W	201.6W	200.16W
	/	/	/	/
	300mVp-p	300mVp-p	300mVp-p	400mVp-p
	2000ms/230VAC			
	50ms			
	1%	0.5%	0.5%	0.5%
	1%	0.5%	0.5%	0.5%
	2%	1%	1%	1%
	-20~+70 5%~95%RH			
	-40~+80 10%~95%RH			
	10~500Hz, 2G, 10min, X,Y,Z 6			
	20G, 11ms, X,Y,Z 3			
	2000mtrs	2000m	100m	0.6
	EN55024 EN61000-4-2,3,4,5,6,8,11			
	/			
EMC	EN55032			
	UL60950 IEC/EN60950 GB4943.1-2011			
	-- I/P-O/P:3.0Kvac/10mA	---	I/P-CASE:1.8Kvac/10mA	---
	O/P-CASE:0.5Kvac/10mA		1min	
	I/P-O/P >10M ohms	I/P-Case >10M ohms	O/P-Case >10M ohms	
	/	/	/	/
	/			
	110~160%rated			

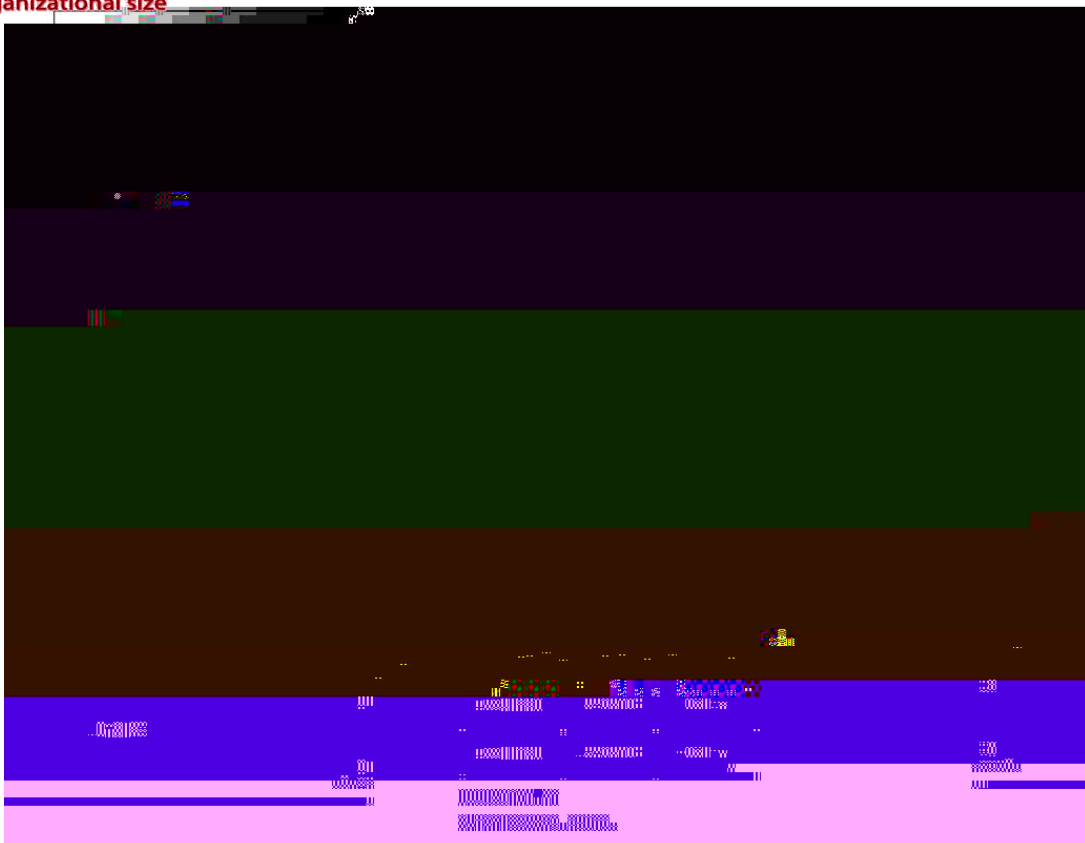
	/		
MTBF	25	50000Hrs	
	208mm*59mm*31mm	* *	
	Kg/	/	KG/
		-40	
*		230VAC	25
*		30%	100W
130W			
*		20MHz	12mm
	47uF	0.1uF	
*		EMC	

● 输出负载与温度曲线

● 输入电压与负载曲线



● 机构尺寸  
Organizational size



 **产品安装 使用说明**  
Installation and User Guide

 **运输、储存：**  
Transportation and storage:

CHEUNG LIAN