

CHENGLIAN

产品特性 Product Features



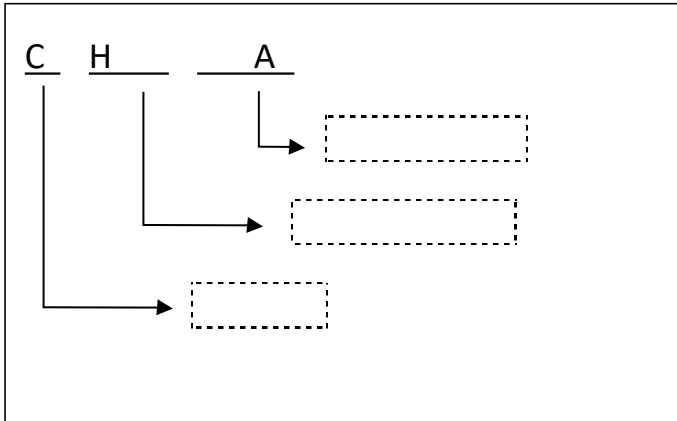
- ✓
- ✓
- ✓
- ✓
- ✓
- ✓
- ✓
- ✓

应用领域 Application

参考标准 Reference standard

产品描述 Product Description

 **产品命名**
Product Naming

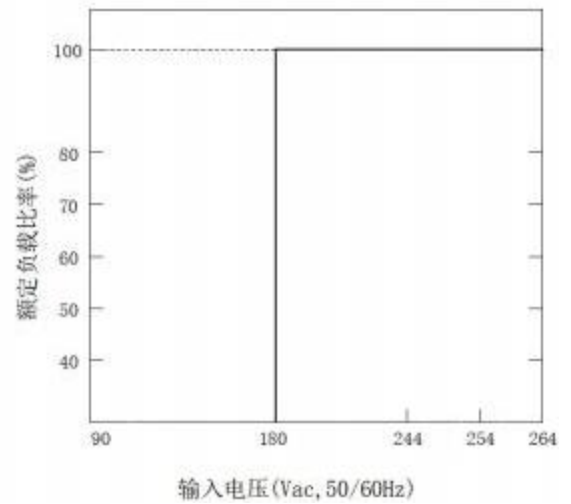
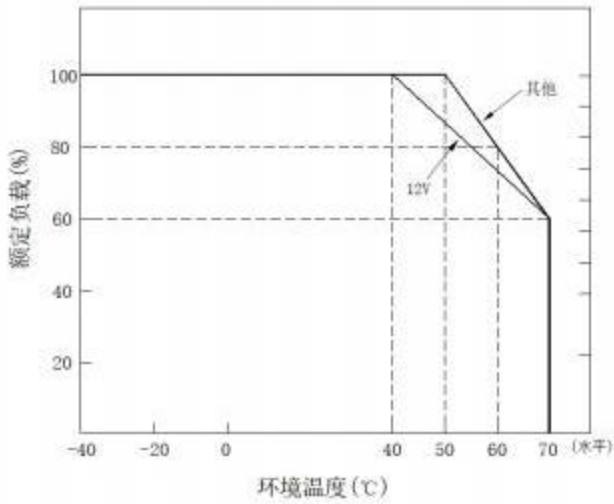


 **电气参数**
Electrical parameters

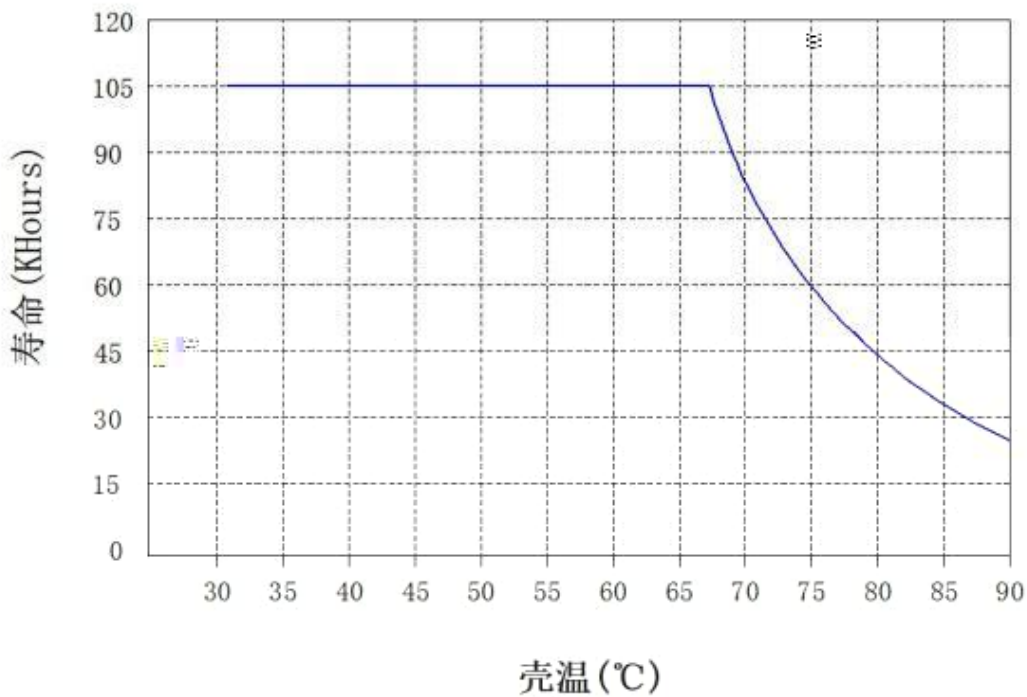
		C H A	C H A	C H A	C H A
		AC			
		A AC			
		H			
		F AC			
		A AC			
		A AC			
		A	A	A	A
		/			
		AC			
		AC			
		H			
		H			
		H G			
		G			
		E E GB GB			
		E C C			
		E E	B		
		GB GB IEC E E			
		I	I CA E	CA E	
		I I C C			

	BF	H I
		K KG
	<input checked="" type="checkbox"/>	
		<input checked="" type="checkbox"/>
		AC
		H
		F F
		E C

● 额定负载 VS 环境温度降额曲线 ● 输入电压与负载降额曲线

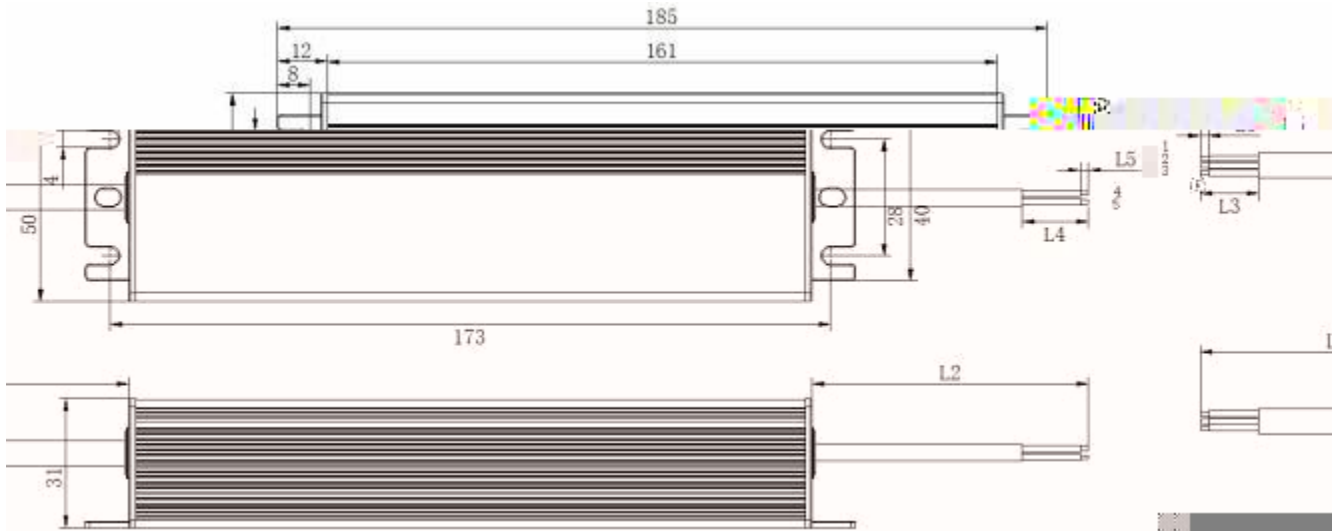


● 壳温与寿命曲线



机构尺寸

Organizational size



产品安装 使用说明:

Installation and Use Instructions:

运输、储存:

Transportation and storage:

CHEUNGGLIAN