

# CHENGLIAN

## 产品特性 Product Features



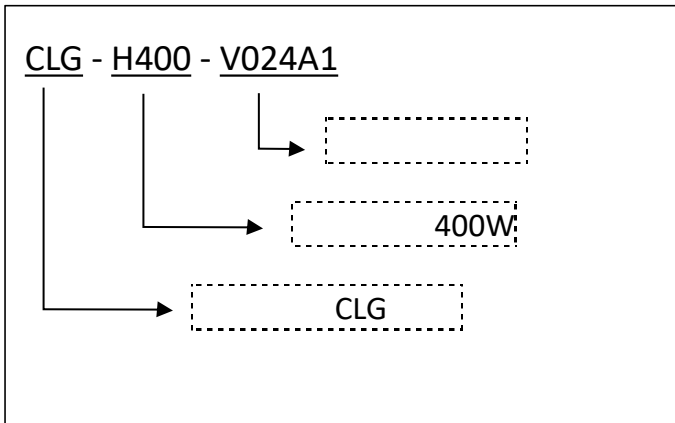
- ✓
- ✓
- ✓
- ✓
- ✓
- ✓
- ✓
- ✓
- ✓

## 应用领域 Application area

## 参考标准 Reference standard

## 产品描述 Product Description

 **产品命名**  
Product Naming

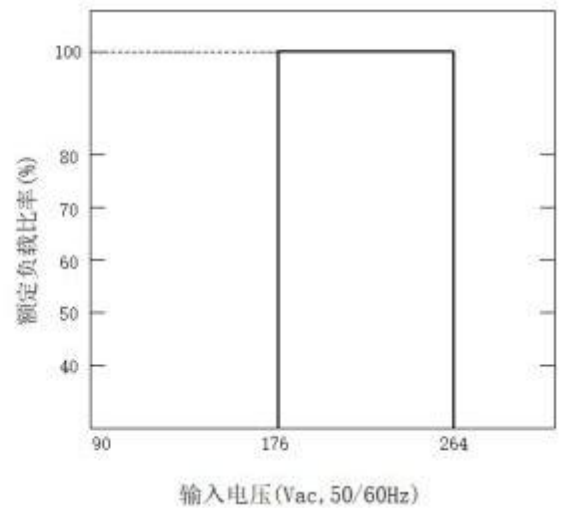
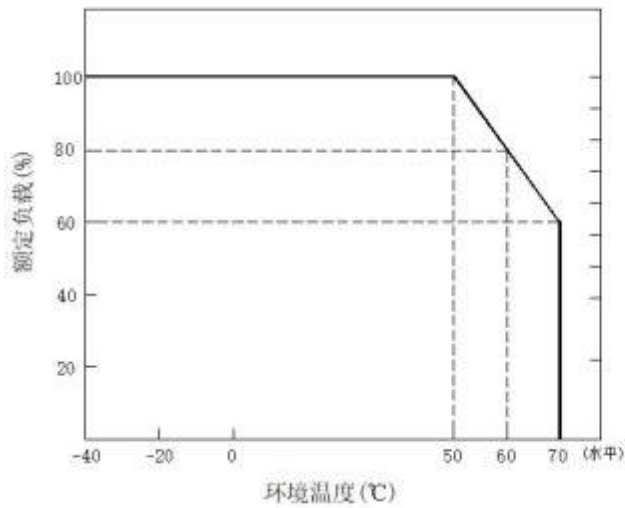


 **电气参数**  
Electrical parameters

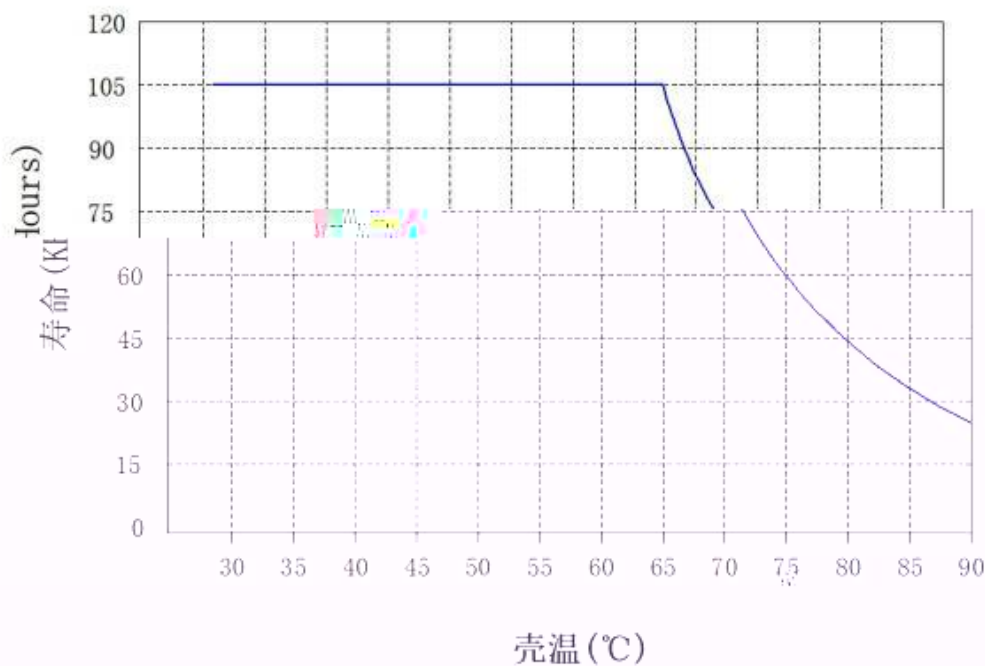
	CLG-H400-V012A1	CLG-H400-V024A1	CLG-H400-V036A1	CLG-H400-V048A1
	176~264VAC( )			
	1.9A/230VAC			
	47~63Hz			
(@230Vac)	91.8%	93%	94.2%	93.5%
	PF≥0.95/230VAC			
	<0.7mA/240VAC			
	15A/230VAC			
	12V	24V	36V	48V
	31A	16.5A	11A	8.3A
	372W	396W	396W	398.4W
	300mVp-p	300mVp-p	400mVp-p	500mVp-p
	1000ms	50ms/230VAC	100%	
	50ms/230VAC	100%		
	±0.5%	±0.5%	±0.5%	±0.5%
	±3%	±2%	±1.5%	±1.5%
	±2.0%	±2.0%	±2.0%	±2.0%
	-40~70 20%~95%RH			
	-40~80 10%~95%RH			
	10~500Hz,	2G,	10min, X,Y,Z	6
	20G,	11ms, X,Y,Z	3	
	5000m	2000m	100m	0.6 )
	EN55015;EN61000-3-3;GB17743,GB17625.1			
	EN61000-3-2 Class C(@ 60%)			
	EN61000-4-2,3,4,5,6,8,11;EN61547		4kV,	6kV B
	GB19510.1,GB19510.14;IEC/EN61347-1 EN61347-2-13;			
	-- I/P-O/P:3.75kVac	---	I/P-CASE:2kVac	--- O/P-CASE:0.5kVac
	1min			
	I/P-O/P	50M ohms	I/P-Case	50M ohms
	O/P-Case	50M ohms		
	14~16V	26~28V	39~45V	51~63V

	110~165%
MTBF	25 ≥150000Hrs MIL-217 Method
	245*90*45mm * *
	1.71Kg/ 10 / 17.6KG/
	<input checked="" type="checkbox"/> o
	o o <input checked="" type="checkbox"/> -40 )o
*	230VAC 25
*	30% 100W
*	130W
*	20MHz
*	12mm 47uF 0.1uF
*	EMC

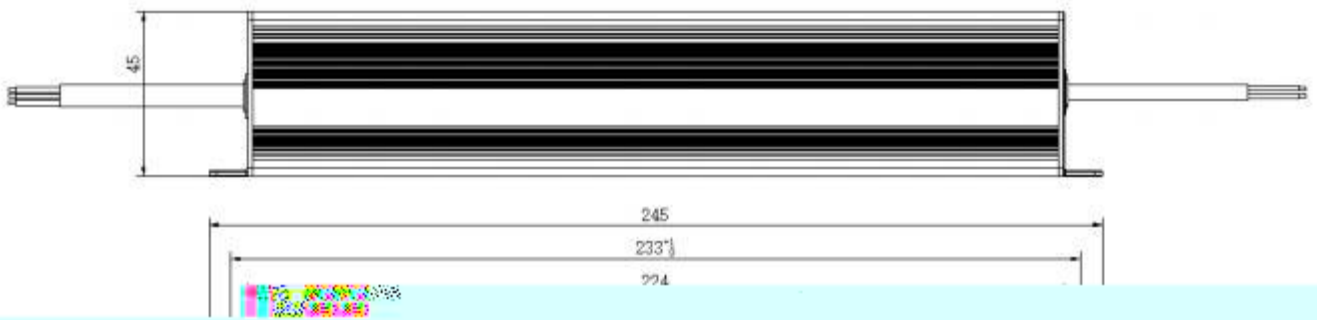
● 额定负载 vs 环境温度降额曲线 ● 输入电压与负载降额曲线



● 壳温与寿命曲线



**机构尺寸**  
Organizational size



**产品安装 使用说明**  
Product Installation and Usage Instructions

**运输、储存:**  
Transportation and storage: