

B

CL-B-25W

CHENGLIAN

产品特性 Product Features



- ✓
- ✓ 176~264VAC
- ✓ -20~+70
- ✓ 105
- ✓ /
- ✓
- ✓ 100%
- ✓ 3

应用领域 Application areas

参考标准 Reference standard

EN 55024\EN 61000-4-2,3,4,5,6,8,11\GB17625.1\EN 61000-3-2,-3\EN 55022\GB4943\UL1012

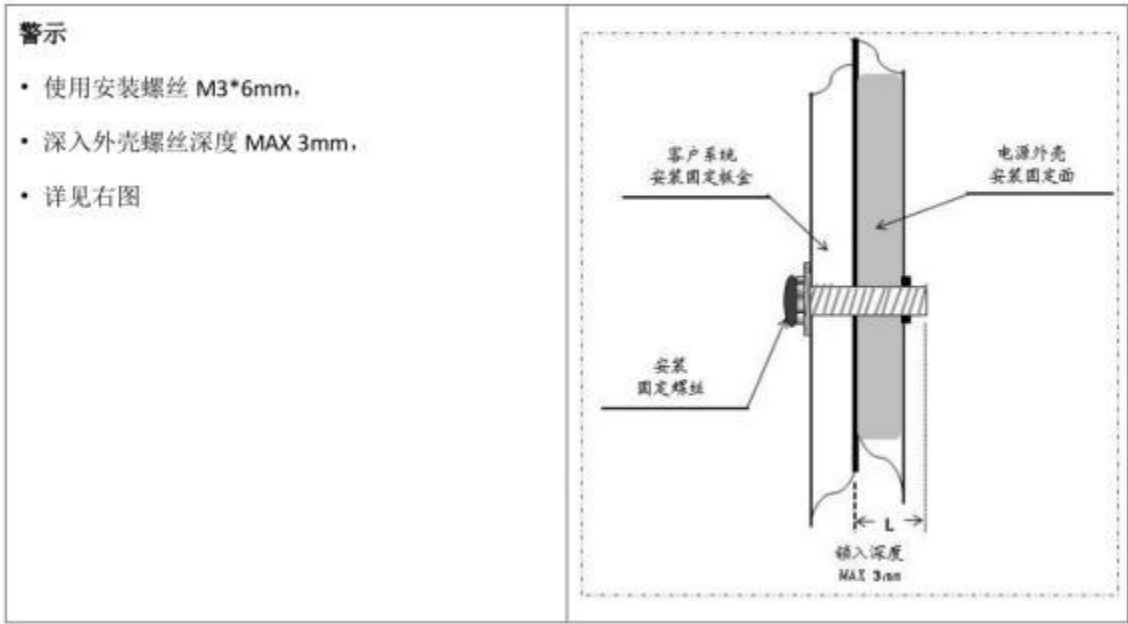
产品描述 Product Description

CL-B-25W 25W
5V,12V 24V 36V 48V

176~264VAC

安装方式:

Installation method



产品安装 使用说明

- 1
- 2
- 3
- 4
- 5
- 6

AWG18#

0519-69882516

运输、储存:

Transportation and storage:

- 1
- 2

50cm

1

20cm