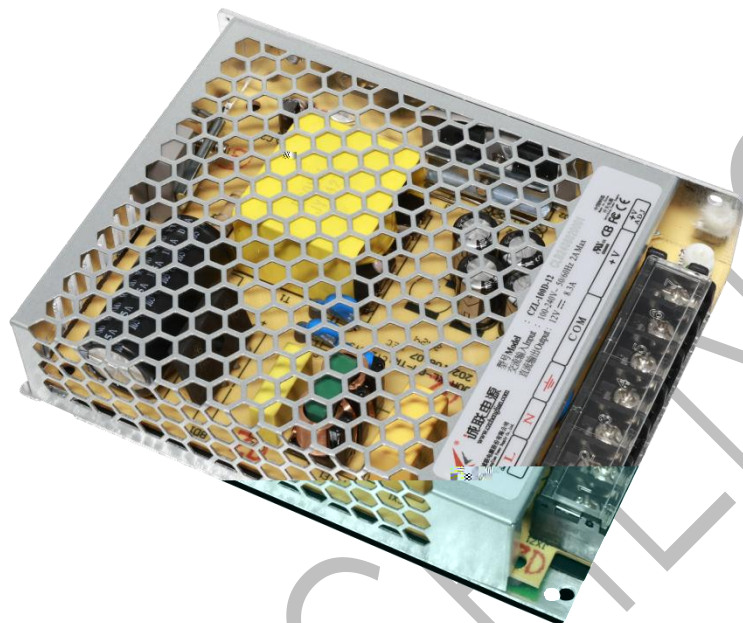


CHENGLIAN

产品特性 Product Features



应用领域 Application area

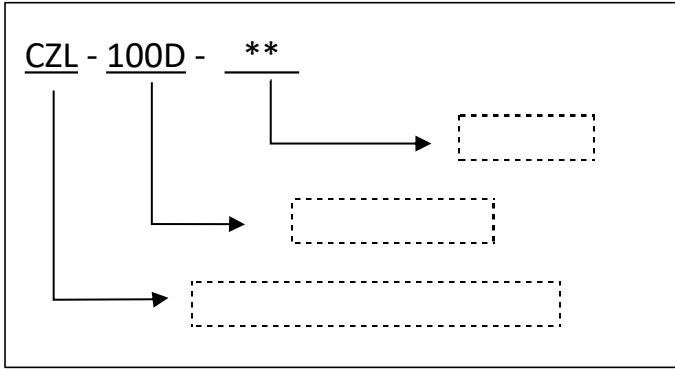
参考标准 Reference standard

产品描述 Product Description



产品命名

Product Naming




电气参数

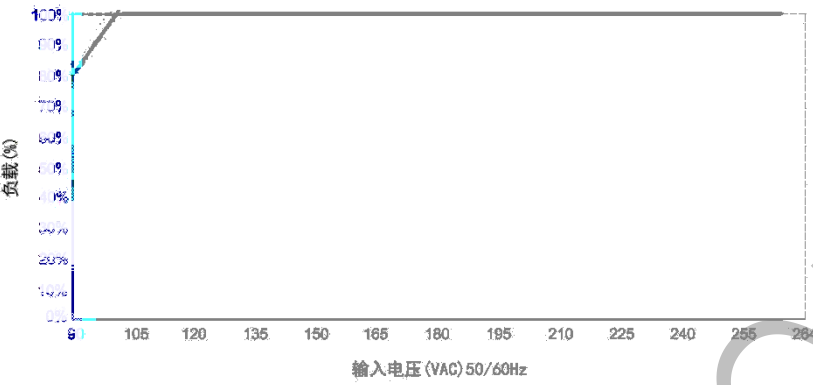
Electrical parameters

	CZL-100D-12	CZL-100D-24	CZL-100D-36	CZL-100D-48
	90~264VAC 127~370VDC()			
	1.9A/115VAC,0.9A/230VAC			
	88%	88%	87%	87%
	47~63HZ			
	<1mA/240VAC			
	60A/230VAC			
	12V	24V	36V	48V
	8.3A	4.2A	2.8A	2.1A
	99.6W	100.8W	100.8W	100.8W
	± 5%	± 5%	± 3%	± 3%
	150mVp-p	200mVp-p	200mVp-p	200mVp-p
	2000ms 50ms/230VAC	100%		
	30ms/230VAC	100%		
	± 0.5%	± 0.5%	± 0.5%	± 0.5%
	± 0.5%	± 0.5%	± 0.5%	± 0.5%
	± 1%	± 1%	± 1%	± 1%
	-30~70	25		
	-30~80	25		
	10~500Hz,	2G,	10min, X,Y,Z	6
	20G,	11ms, X,Y,Z	3	
	5000mtrs 2000m	100m	0.6)	
	EN55024	EN61000-4-2,3,4,5,6,8,11		
	GB17625.1	EN61000-3-2,-3		
EMC	EN55032	EN55022,Class B		
	GB4943/UL62368/UL1012			
	-- I/P-O/P:3.0Kvac/5mA	---	I/P-CASE:1.8Kvac/5mA	---
	O/P-CASE:0.5Kvdc/5mA		1min	
	I/P-O/P 10M ohms	I/P-Case 10M ohms	O/P-Case 10M ohms	
	15-18V	27-30V	39-42 V	52-55V
	110~165%rated			
	/			

	MTBF	25	100000Hrs	MIL-217 Method
		129*97*30	* *	
		0.32Kg/	40 /	13.5KG/
				-40)
	*		230VAC	25
	*		30%	100W
	130W			
	*		20MHz	
	12mm		10uF	0.1uF
	*			EMC

● 负载 VS 

● 负载 VS 环境温度



● 机构尺寸
Organizational size

CHENGLIAN

CHENGLIAO