

CHENGLIAN

 **产品特性**
Product Features

- ✓
- ✓
- ✓
- ✓
- ✓
- ✓
- ✓
- ✓

 **应用领域**
Application area

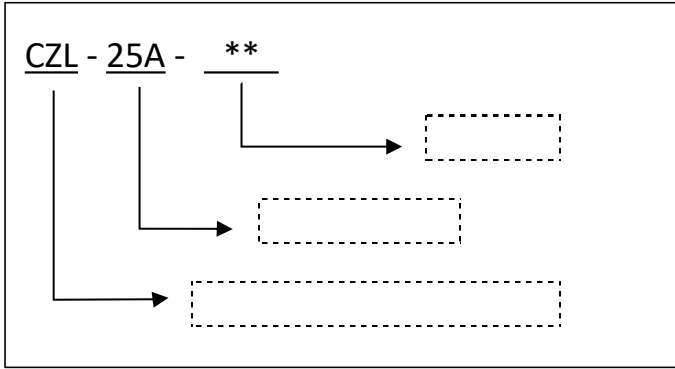
 **参考标准**
Reference standard

 **产品描述**
Product Description



产品命名

Product Naming




电气参数

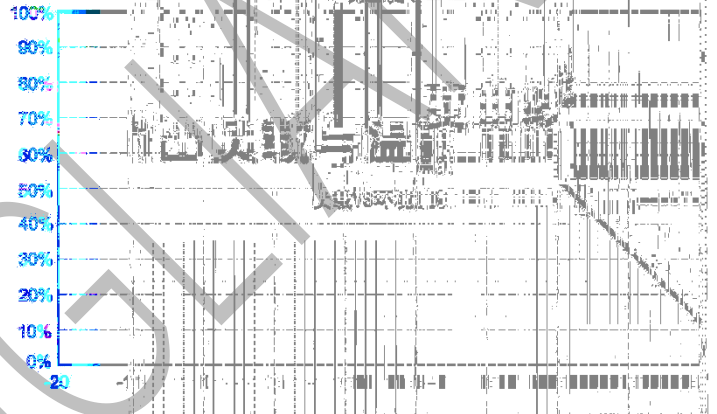
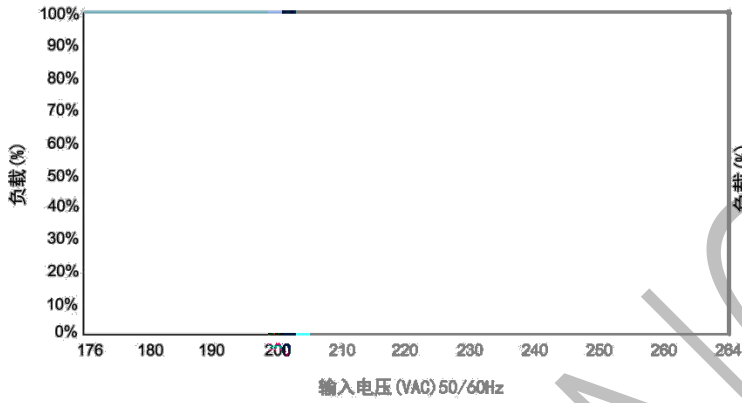
Electrical parameters

| | CZL-25A-12 | CZL-25A-24 | CZL-25A-36 | CZL-25A-48 |
|-----|--------------------------|--------------------------|--------------|----------------------|
| | 176~264VAC 250~370VDC() | | | |
| | 0.3A/230VAC | | | |
| | 81% | 81% | 83% | 83% |
| | 47~63HZ | | | |
| | <1mA/240VAC | | | |
| | 50A/230VAC | | | |
| | 12V | 24V | 36V | 48V |
| | 2.1A | 1A | 0.7A | 0.5A |
| | 25.2W | 24W | 25.2W | 24W |
| | 5% | 5% | 3% | 3% |
| | 150mVp-p | 150mVp-p | 200mVp-p | 200mVp-p |
| | 1500ms | 50ms/230VAC | 100% | |
| | 20ms/230VAC | 100% | | |
| | 0.5% | 0.5% | 0.5% | 0.5% |
| | 0.5% | 0.5% | 0.5% | 0.5% |
| | 1% | 1% | 1% | 1% |
| | -30~70 | 25 | | |
| | -40~80 | 25 | | |
| | 10~500Hz, | 2G, | 10min, X,Y,Z | 6 |
| | 20G, | 11ms, X,Y,Z | 3 | |
| | 5000mtrs | 2000m | 100m | 0.6 |
| | EN55024 | EN61000-4-2,3,4,5,6,8,11 | | |
| | GB17625.1 | EN61000-3-2,-3 | | |
| EMC | EN55022 | Class B | | |
| | GB4943/UL1012 | | | |
| | -- | I/P-O/P:3.0Kvac/5mA | --- | I/P-CASE:1.5Kvac/5mA |
| | O/P-CASE:0.5Kvdc/5mA | | 1min | |
| | I/P-O/P | 10M ohms | I/P-Case | 10M ohms |
| | O/P-Case | 10M ohms | | |
| | / | | | |
| | 110~165%rated | | | |
| | / | | | |

| | | | | | |
|------|-------------------------------------|--------------------------|--------------------------|--------|--------------------------|
| | | | | | |
| MTBF | 25 | 100000Hrs | MIL-217 | Method | |
| | 89*51*28 | * | * | | |
| | 0.15 Kg/ | 72 | / | 12KG/ | |
| | <input checked="" type="checkbox"/> | <input type="checkbox"/> | | | |
| | <input type="checkbox"/> | <input type="checkbox"/> | <input type="checkbox"/> | -40 | <input type="checkbox"/> |
| * | | | 230VAC | 25 | |
| * | | | 30% | 100W | |
| 130W | | | | | |
| * | | 20MHz | | | |
| 12mm | | 10uF | 0.1uF | | |
| * | | | EMC | | |

静态特性曲线

负载VS输入电压



机构尺寸

Organizational size

CHEM

 **产品安装、使用说明:**
Installation and User Guide:

 **运输、储存:**
Transportation and storage:

CHEONGLIAN