

CHENGLIAN

产品特性 Product Features



- ✓
- ✓
- ✓
- ✓
- ✓
- ✓
- ✓
- ✓
- ✓
- ✓

应用领域 Application area

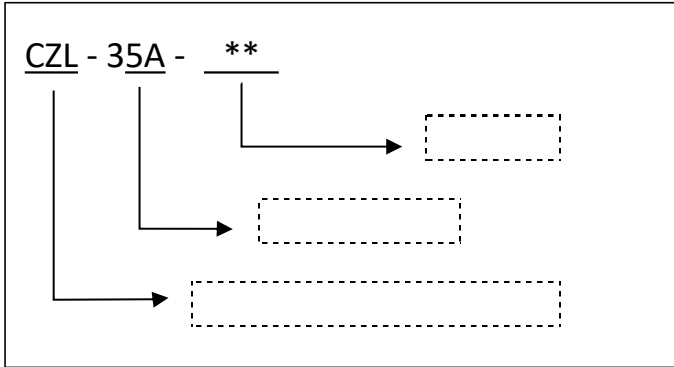
参考标准 Reference standard

产品描述 Product Description



产品命名

Product Naming




电气参数

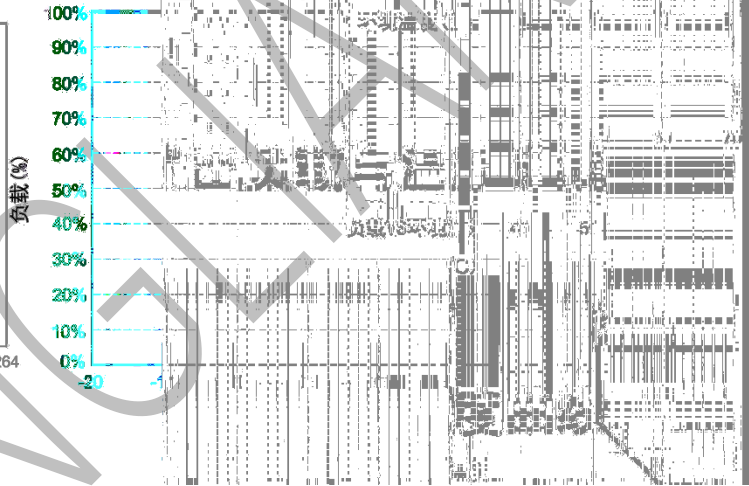
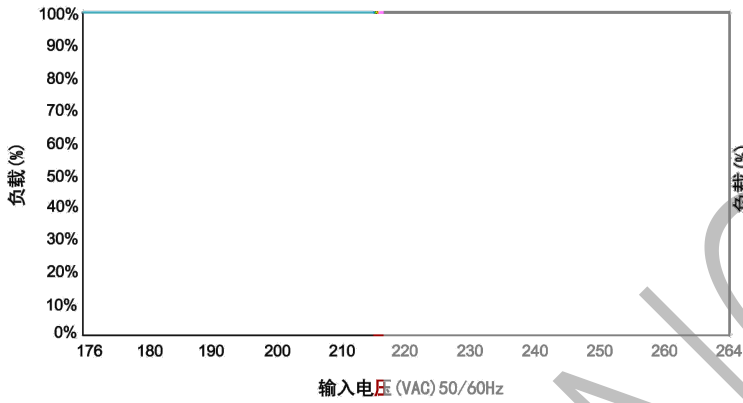
Electrical parameters

	CZL-35A-12	CZL-35A-24	CZL-35A-36	CZL-35A-48
	176~264VAC 250~370VDC()			
	0.35A/230VAC			
	81%	81%	83%	83%
	47~63HZ			
	<1mA/240VAC			
	50A/230VAC			
	12V	24V	36V	48V
	3A	1.5A	1A	0.75A
	36W	36W	36W	36W
	5%	5%	3%	3%
	150mVp-p	150mVp-p	200mVp-p	200mVp-p
	1500ms	50ms/230VAC	100%	
	20ms/230VAC	100%		
	0.5%	0.5%	0.5%	0.5%
	0.5%	0.5%	0.5%	0.5%
	1%	1%	1%	1%
	-30~70	25		
	-30~80	25		
	10~500Hz,	2G,	10min, X,Y,Z	6
	20G,	11ms, X,Y,Z	3	
	5000mtrs	2000m	100m	0.6
	EN55024	EN61000-4-2,3,4,5,6,8,11		
	GB17625.1	EN61000-3-2,-3		
EMC	EN55022,Class B			
	GB4943/UL1012			
	--	I/P-O/P:3.0Kvac/5mA	---	I/P-CASE:1.5Kvac/5mA
	O/P-CASE:0.5Kvdc/5mA		1min	
	I/P-O/P	10M ohms	I/P-Case	10M ohms
	O/P-Case	10M ohms		
	/			
	110~165%rated			
	/			

MTBF	25	100000Hrs	MIL-217	Method		
	89*51*28	*	*			
	0.15 Kg/	72	/	12KG/		
	<input checked="" type="checkbox"/>	<input type="checkbox"/>				
	<input type="checkbox"/>	<input type="checkbox"/>	<input type="checkbox"/>	-40	<input type="checkbox"/>	
*				230VAC	25	
*				30%		100W
	130W					
*		20MHz				
	12mm	10uF		0.1uF		
*				EMC		

● 静态特性曲线

负载VS输入电压



● 机构尺寸 Organizational size

CHEM

 **产品安装、使用说明:**
Installation and User Guide:

 **运输、储存:**
Transportation and storage:

CHEONGLIAN