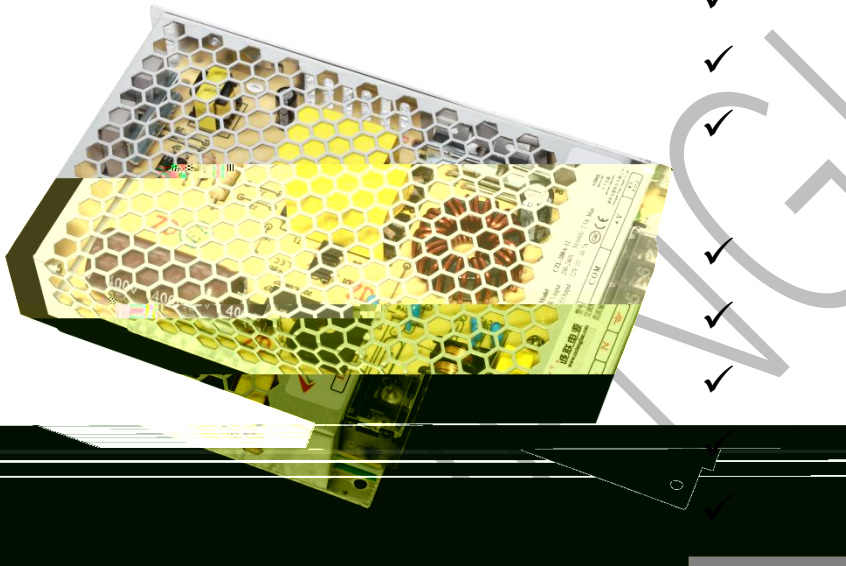




CHENGLIAN

## 产品特性 Product Features



## 应用领域 Application area

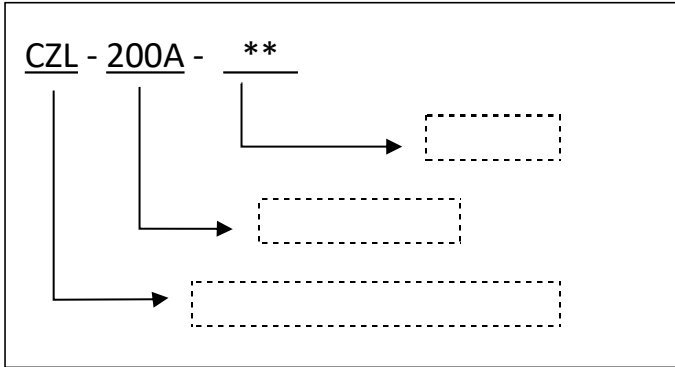
## 参考标准 Reference standard

## 产品描述 Product Description



# 产品命名

Product Naming




# 电气参数

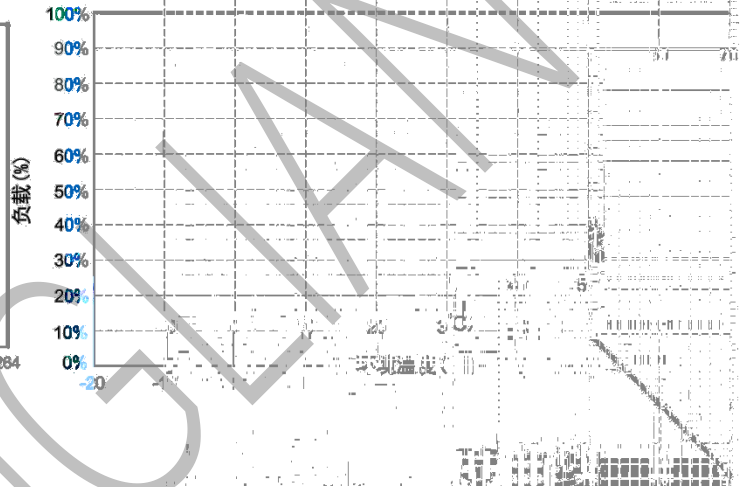
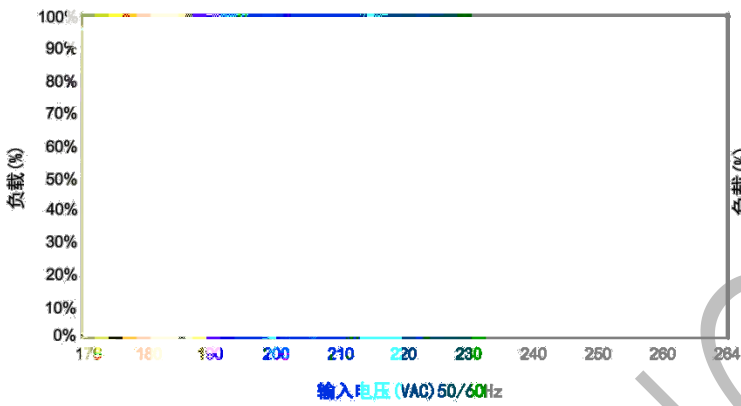
Electrical parameters

	CZL-200A-12	CZL-200A-24	CZL-200A-36	CZL-200A-48
	176~264VAC			
	230VAC/2.5A			
	87%	87%	88%	88%
	47~63HZ			
	<1mA/240VAC			
	60A/230VAC			
	12V	24V	36V	48V
	16.7A	8.3A	5.6A	4.2A
	200.4W	199.2W	201.6W	201.6W
	± 5%	± 5%	± 3%	± 3%
	150mVp-p	150mVp-p	200mVp-p	250mVp-p
	2000ms	50ms/230VAC	100%	
	20ms/230VAC	100%		
	± 0.5%	± 0.5%	± 0.5%	± 0.5%
	± 0.5%	± 0.5%	± 0.5%	± 0.5%
	± 1.0%	± 1.0%	± 1.0%	± 1.0%
	-30~70	25		
	-30~80	25		
	10~500Hz,	2G,	10min,	X,Y,Z 6
	20G,	11ms,	X,Y,Z	3
	2000mtrs	2000m	100m	0.6 )
	EN55024	EN61000-4-2,3,4,5,6,8,11		
	GB17625.1	EN61000-3-2,-3		
EMC	EN55022			
	GB4943/UL1012			
	--	I/P-O/P:3Kvac/5mA	---	I/P-CASE:1.5Kvac/5mA ---
		O/P-CASE:0.5Kvdc/5mA		1min
	I/P-O/P	10M ohms	I/P-Case	10M ohms O/P-Case 10M ohms
	19-22	26-30	39-42	52-55
	110~165%rated			
	/			

MTBF	25	100000Hrs	MIL-217 Method
	159*97*30	* *	
	0.38Kg/	40 /	17KG/
	<input checked="" type="checkbox"/>	<input type="checkbox"/>	
	<input type="checkbox"/>	<input type="checkbox"/>	<input type="checkbox"/>
			-40 ) <input type="checkbox"/>
*		230VAC	25
*		30%	100W
	130W		
*		20MHz	
	12mm	47uF	0.1uF
*	EMC		

# 静态特性曲线

负载VS输入电压



CHEENGLIAN

 **安装方式:**  
Installation method:

 **产品安装、使用说明:**  
Installation and User Guide:

 **运输、储存:**  
Transportation and storage:

CHENGLIAO