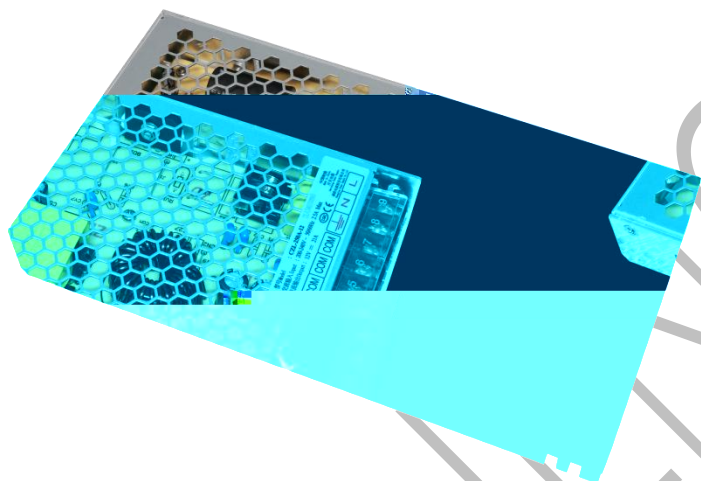


CHENGLIAN

产品特性 Product Features



- ✓
- ✓
- ✓
- ✓
- ✓
- ✓
- ✓
- ✓

应用领域 Application area

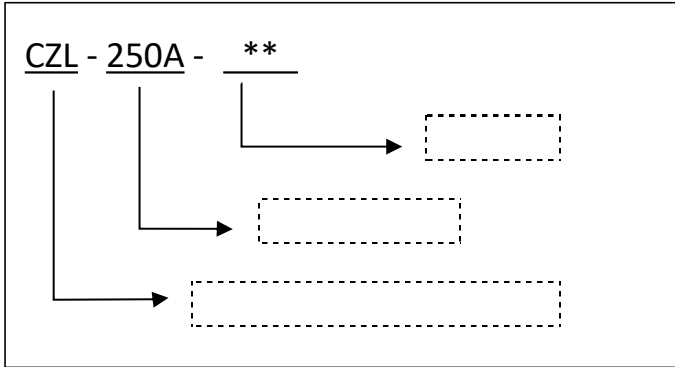
参考标准 Reference standard

产品描述 Product Description



产品命名

Product Naming

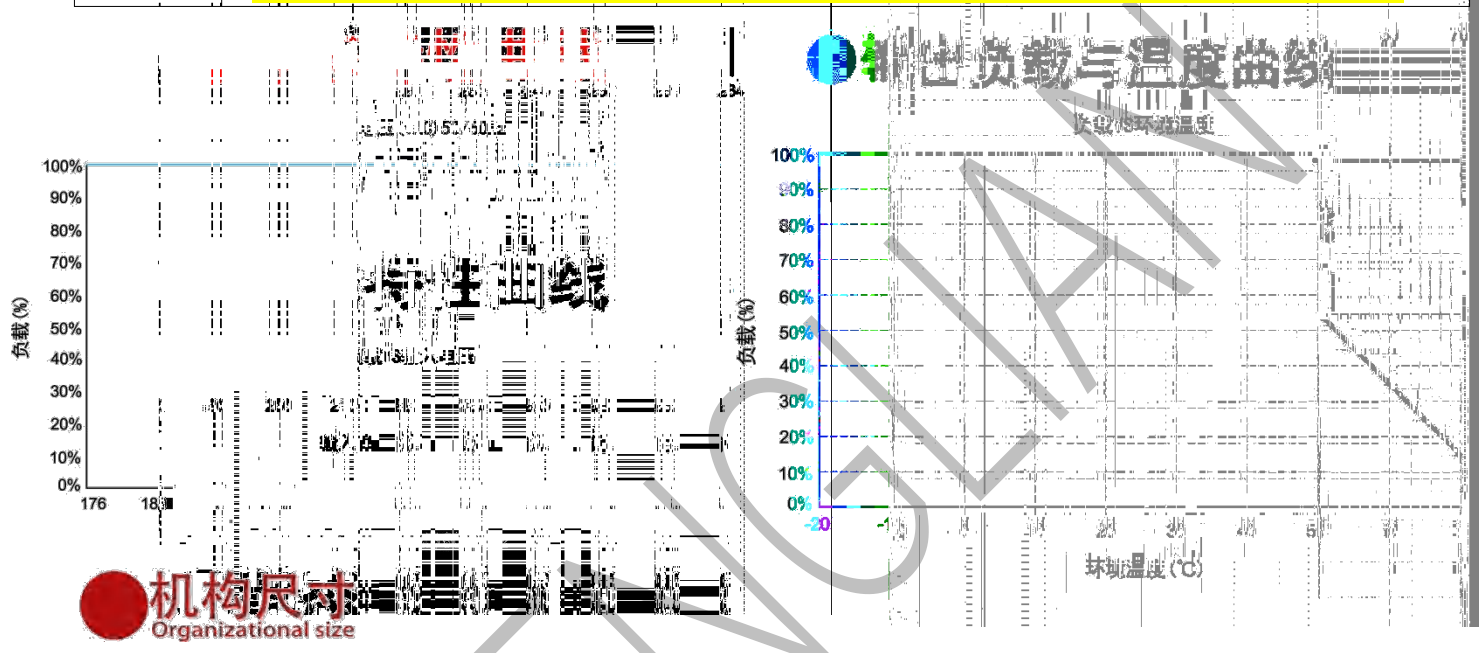



电气参数

Electrical parameters

	CZL-250A-12	CZL-250A-24	CZL-250A-36	CZL-250A-48
	176~264VAC			
	230VAC/2.5A			
	86%	87%	88%	89%
	47~63HZ			
	<1mA/240VAC			
	60A/230VAC			
	12V	24V	36V	48V
	21A	10.5A	7A	5.2A
	252W	252W	252W	249.6W
	± 5%	± 5%	± 3%	± 3%
	150mVp-p	150mVp-p	200mVp-p	250mVp-p
	2500ms	50ms/230VAC	100%	
	20ms/230VAC	100%		
	± 0.5%	± 0.5%	± 0.5%	± 0.5%
	± 1.0%	± 1.0%	± 1.0%	± 1.0%
	± 1.0%	± 1.0%	± 1.0%	± 1.0%
	-30~70	25		
	-30~80	25		
	10~500Hz,	2G,	10min, X,Y,Z	6
	20G,	11ms, X,Y,Z	3	
	2000mtrs	2000m	100m	0.6)
	EN55024	EN61000-4-2,3,4,5,6,8,11		
	GB17625.1	EN61000-3-2,-3		
EMC	EN55022			
	GB4943/UL1012			
	--	I/P-O/P:3Kvac/5mA	---	I/P-CASE:1.8Kvac/5mA
	O/P-CASE:0.5Kvdc/5mA	1min		
	I/P-O/P	10M ohms	I/P-Case	10M ohms
	O/P-Case	10M ohms		
	13.5-16.5	27-30	41-48	52-55
	110~165%rated			
	/			

MTBF	25	100000Hrs	MIL-217	Method	
	215*115*30	*	*	*	
	0.6Kg/	20	/	13KG/	
	<input checked="" type="checkbox"/>	<input type="checkbox"/>			
	<input type="checkbox"/>	<input type="checkbox"/>	<input type="checkbox"/>	-40) <input type="checkbox"/>
*			230VAC		25
*			30%		100W
	130W				
*		20MHz			
	12mm	10uF	0.1uF		
EMC					



 **安装方式:**
Installation method:

 **产品安装、使用说明:**
Installation and User Guide:

 **运输、储存:**
Transportation and storage:

CHENGLIAO